



SHENZHEN FENDA TECHNOLOGY CO.,LTD.GUANGDONG,PRC  
ADD: Fenda Hi-Tech Park, Zhoushi Road, Shiyao, Baoan, Shenzhen, Guangdong, PRC  
Tel: +86-755-2748668 (800 line) Fax: +86-755-2748663 P.C.: 518108

**F&D**  
www.fenda.com



# A111X User Manual

2.1 Computer Multimedia Speaker

## 1 Sound unwired



### CAUTION:

- Do not place the system in the high-temp and humid environment, prevent it from raining or rough handling and strong shock.
- In order to avoid electric shock and other accidents, do not open the right side panel cover for repair without any professional guidance.
- In case fragments or other liquids are accidentally sprinkled inside the cabinet, please switch off the power immediately. In case of repair, please come to the professional maintenance for help.
- Switch off the power and take off the plug from the power jack when the system is not on work.
- Keep it safe from water drops or splashing water, and no liquid container allowed to be put on its top side.
- Keep the cabinet vent far from the wall by 20mm at least and the air vent should not be blocked. Do not keep it close to the fire.

### SYSTEM COMPOSITION:

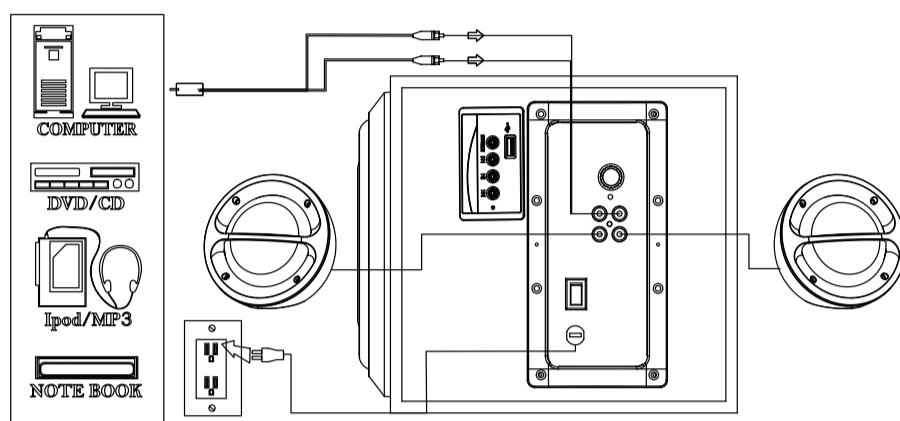
- Subwoofer unit 1pc
- Plastic satellite speakers 2pcs
- Remote control 1pc
- Operation manual 1pc
- 3.5mm to RCA stereo cable 1pc
- RCA to RCA stereo cable (optional) 1pc



## 2 Sound unwired

### INSTALLATION GUIDE: (See the below guiding pictures)

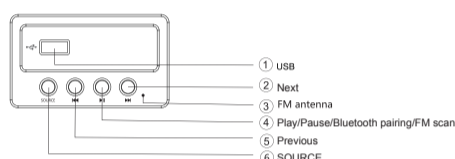
- Connect the satellite speaker cable to the output port of subwoofer in respective color port
- Insert input signal cable (RCA Socket) into subwoofer input port and the other end with output port of your Audio/Video system in respective color port.



## 3 Sound unwired



### Front panel keys



### Function of Panel keys

- Turn on the unit through Power ON/OFF button.
- SOURCE**: Switch between BT, AUX, USB and FM mode.
- ▶**:
  - USB Mode: Short press to play/pause the music.
  - FM Mode: Short press to start Auto Search & this will store the found frequencies (channels) automatically.
  - Bluetooth mode: Long press will enter in to pairing mode, Blue LED will flash fast. Short press of this key will play/pause the music.
- ◀**:
  - USB mode: Short press to decrease volume, long press to select previous song.
  - FM mode: Short press to decrease volume, long press to select previous stored station.
  - Bluetooth mode: Short press to decrease volume, long press to select previous song.
- ▶**:
  - USB mode: Short press to increase volume, long press to select next song.
  - FM mode: Short press to increase volume, long press to select next stored station.
  - Bluetooth mode: Short press to increase volume, long press to select next song.

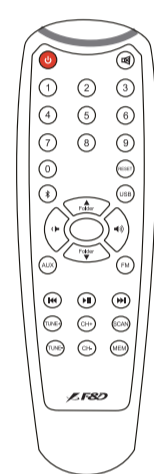


## 4 Sound unwired

LED indicator: Blue for Bluetooth, Red for FM, Green for USB, Red/Green flash alternately for AUX.

### Remote control

- turn on/off unit.
- AUX, Bluetooth, USB (For USB Mode) and FM key: short press the keys to switch to respective modes.
- ⏸**: press it to mute or unmute the sound.
- ⏪**: decrease or increase master volume.
- Tune +/-: FM mode:
  - Fine Tuning: Short press to increase or decrease one step (100kHz), FM LED flash once. LED stop flashing once it reaches to Minimum or Maximum frequency. Manual Tuning: Long press of this key works for Manual tuning. It finds the next available frequency.
- MEM: Short press of this key work to store tuned station through Fine or Manual tuning. FM LED flash once to indicate store/save operation.
- CH +/-: select saved channels in FM mode.
- Scan: FM mode: Short press to start Auto Search & this will store the found frequencies (channels) automatically.
- Enter: confirm setting and return to main screen.
- 0-9 number keys:
  - USB source: directly press numeric keys through remote to select your favorite song if you know the song number in the folder. The system will automatically play the last song of the folder if you enter the number greater than total number of songs in that folder.



## 5 Sound unwired



2. FM source: directly press numeric keys through remote to select your favorite station if you know the station number (1-100). Or press 3 or 4 digits of frequency to play that station, for example, 1026 for 102.6 MHz station.
- K**: USB and BT mode, short press to play or pause.
- L**: USB and BT mode, short press to select previous song.
- M**: USB and BT mode, short press to select next song.
- N**: Folder / : USB mode, short press to select next/previous folder.
- O**: short press to enter in to Bluetooth mode & long press will enter in to pairing mode. Blue LED will flash fast during pairing mode.
- P**: Reset: short press to reset the current mode & Long press to reset the factory setting.

### Bluetooth pairing

Switch to Bluetooth mode, A111X will automatically search the Bluetooth device. If the device paired before, A111X will connect automatically. If can't find paired device, A111X will enter pairing mode automatically, bluetooth LED under pairing button flashes quickly.

- Active "Bluetooth" function on your device and search for "Fenda A111X". Enter "0000" if your device asks for the PIN code.
- After pairing successfully, bluetooth LED display will be bright, and ready for playing music. Recommend to adjust suitable volume before playing music.

**Tips:** To make sure your PC or notebook is working well with our Bluetooth speakers, it is recommended that you check with your PC or notebook vendor first. Make sure the correct Bluetooth driver software is installed



## 6 Sound unwired

### Specifications

Output power:  
Satellites: 11 Wx2 (THD+N=10%, 1KHz)  
Subwoofer: 13 W (THD+N=10%, 80Hz)  
Speaker unit:  
Subwoofer: 4" 4Ω  
Satellites: 4" 4Ω

Power: 220-240V~50/60Hz  
Frequency Response:  
Subwoofer: 65Hz-120Hz  
Satellites: 120Hz-20KHz  
Separation: ≥35dB  
S/N Ratio: ≥65dB

**Compatibility:**  
Compatible with Smartphones and tablets supporting Bluetooth (A2DP) protocol

### Troubleshooting

Problem	Possible Cause	Solution
F&D system does not turn on	Power cable not connected to the power outlet and/or F&D System	Check connection
Sound reproduction too soft	Volume of F&D System set too low	Increase the volume using the "Volume" button. Increase the volume of the source device
F&D System does not respond to remote control.	The battery is empty	Replace battery, observe correct polarity at insertion
No sound reproduction	Source device not producing any signal.	Digital output on the source device not activated
	Cable not correctly connected/faulty cable.	Check the connection of the source device to the F&D System and change the cable if necessary.
	Distance is far from device in Bluetooth mode Bluetooth device not connected successfully	put your Bluetooth device close to the speaker please restart the speaker and try again

## F&D WARRANTY CARD

### END-USER'S COPY WARRANTY REGISTRATION CERTIFICATE

Mr./Mrs/Ms First Name: \_\_\_\_\_  
Last Name: \_\_\_\_\_  
Address: \_\_\_\_\_  
Contact No.: \_\_\_\_\_  
Product Name: \_\_\_\_\_  
Model No.: \_\_\_\_\_  
Serial No.: \_\_\_\_\_  
Date Purchased: \_\_\_\_\_  
Invoice No.: \_\_\_\_\_  
Retail Outlet Where Purchased: \_\_\_\_\_

(Please print the name & address)

### SECTION 1

## WARRANTY TERMS & CONDITIONS

The warranty will be effective only if the warranty card is completed and returned to the company within 14 days from the date of purchase. We guarantee the provision of free services of F&D product within the warranty period from its date of purchase from our Authorised Dealer.

- The period and conditions of our warranty service are as follow:
- The warranty covers services by our F&D Authorised Dealer. This warranty card together with the receipt must be presented when servicing is required. This warranty card is irreplaceable in the event of loss.
  - Repair services will be provided for defects arising from normal usage for the following period, commencing from the date of purchase from our F&D Authorised Dealer. (Parts would be replaced when necessary)
    - Parts:..... 1 year
    - Technical service free..... 1 year
  - Under the following circumstances, service and parts will be chargeable even within the warranty period:
    - Failure to present the warranty card and receipt when servicing is required. Full particulars not clearly shown or alterations made against the actual information. For e.g.: Alteration of the date of purchase, serial numbers-altered or removed.
    - This unit being tampered with, altered in any way by any unauthorised technicians or which has been subjected to misuse, negligence or accident. This guarantee does not cover damage occurring in transit by or from the customer.
    - The defect is caused by the attack of household pests, fire, lighting, natural disasters, pollution, abnormal voltage or the usage of generator.

Shenzhen Fenda Technology Co., Ltd.  
Add: Fenda Hi-Tech Park, Zhoushi Road, Shiyao, Baoan, Shenzhen, China  
P.C.: 518108 Http://www.fenda.com

## F&D WARRANTY CARD

### DISTRIBUTOR'S COPY WARRANTY REGISTRATION CERTIFICATE

Mr./Mrs/Ms First Name: \_\_\_\_\_  
Last Name: \_\_\_\_\_  
Address: \_\_\_\_\_  
Contact No.: \_\_\_\_\_  
Product Name: \_\_\_\_\_  
Model No.: \_\_\_\_\_  
Serial No.: \_\_\_\_\_  
Date Purchased: \_\_\_\_\_  
Invoice No.: \_\_\_\_\_  
Retail Outlet Where Purchased: \_\_\_\_\_

(Please print the name & address)

### SECTION 2

## WARRANTY TERMS & CONDITIONS

The warranty will be effective only if the warranty card is completed and returned to the company within 14 days from the date of purchase. We guarantee the provision of free services of F&D product within the warranty period from its date of purchase from our Authorised Dealer.

- The period and conditions of our warranty service are as follow:
- The warranty covers services by our F&D Authorised Dealer. This warranty card together with the receipt must be presented when servicing is required. This warranty card is irreplaceable in the event of loss.
  - Repair services will be provided for defects arising from normal usage for the following period, commencing from the date of purchase from our F&D Authorised Dealer. (Parts would be replaced when necessary)
    - Parts:..... 1 year
    - Technical service free..... 1 year
  - Under the following circumstances, service and parts will be chargeable even within the warranty period:
    - Failure to present the warranty card and receipt when servicing is required. Full particulars not clearly shown or alterations made against the actual information. For e.g.: Alteration of the date of purchase, serial numbers-altered or removed.
    - This unit being tampered with, altered in any way by any unauthorised technicians or which has been subjected to misuse, negligence or accident. This guarantee does not cover damage occurring in transit by or from the customer.
    - The defect is caused by the attack of household pests, fire, lighting, natural disasters, pollution, abnormal voltage or the usage of generator.

Shenzhen Fenda Technology Co., Ltd.  
Add: Fenda Hi-Tech Park, Zhoushi Road, Shiyao, Baoan, Shenzhen, China  
P.C.: 518108 Http://www.fenda.com

展开尺寸	290X110MM
成型尺寸	145X110MM
材质要求	105 G铜板纸
印刷要求	单黑印刷
工艺要求	书钉
页码数(页)	6页

F&D 奋达科技		时间	20161226	订单号	YFE16453
品牌	F&D	公司型号	A111X	客户型号	A111X
版本	A0	设计内容	说明书	料号	17.7.030.1206
电子		电声结构		项目经理	
设计者	杨改改	标准化		PLM编号	
复核		业务		核准	